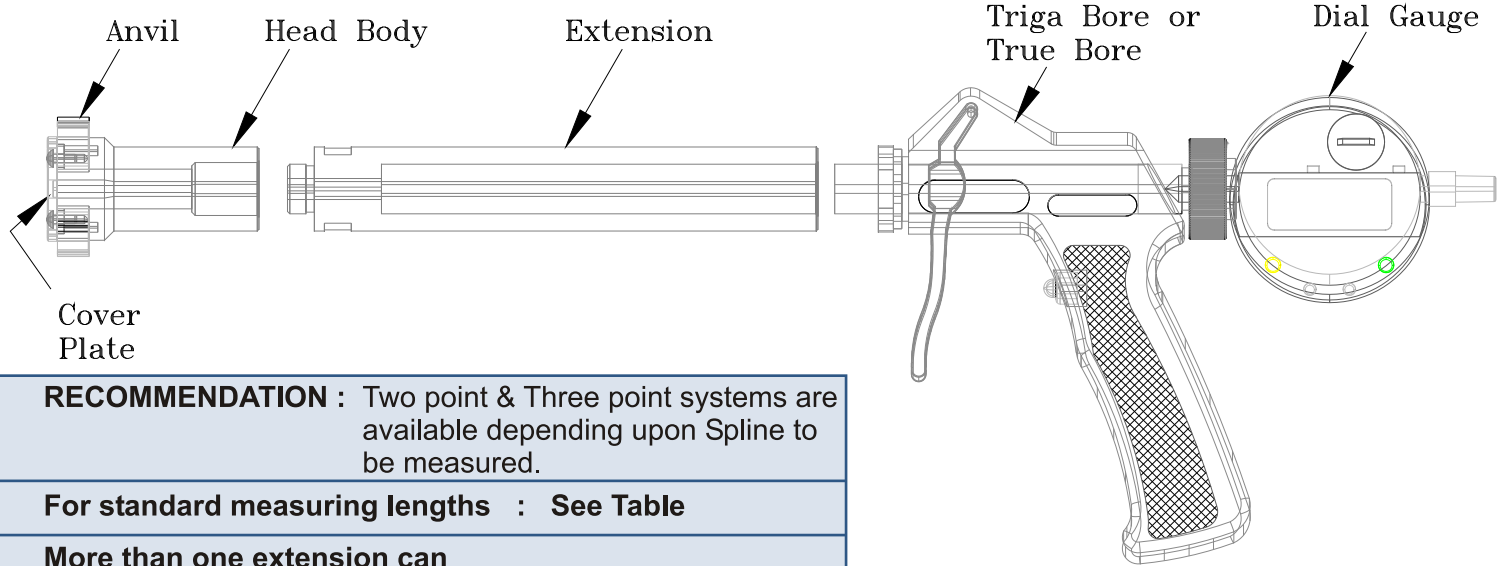


DESIGN NOTES SPLINE MEASUREMENT

To design the Anvil head for Spline measurement, the following information is required:



RECOMMENDATION : Two point & Three point systems are available depending upon Spline to be measured.

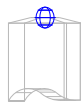
For standard measuring lengths : See Table

More than one extension can be used. For extension lengths available : See Table

CONTACT POINTS REQUIRED FOR SPLINE MEASUREMENT



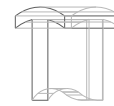
Line or Point contact for pitch circle dia (P.C.D) measurement



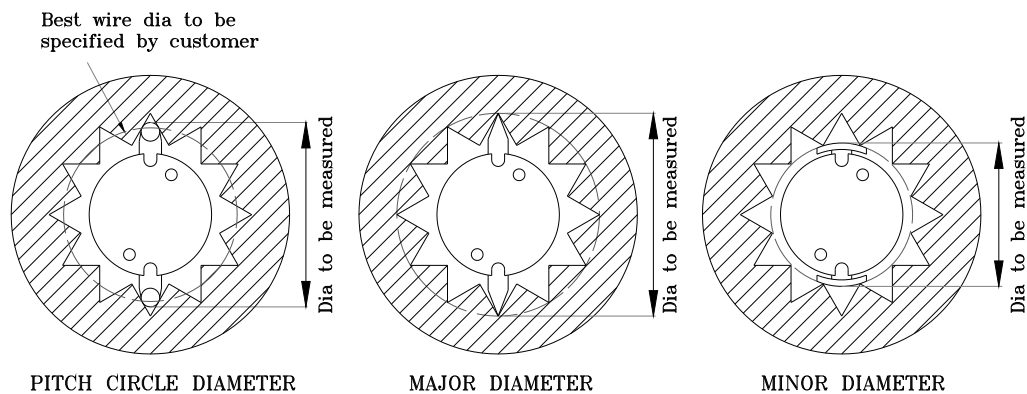
Line contact for major dia measurement



Extended contact for minor dia measurement



INFORMATION REQUIRED: Profile drawing of the Spline to be measured with full design details including no. of teeth in the spline.



Please fill in the following information for Quotations:

Contact Name :
Company :
Country :
E-mail :
URL :
Tel. No. :
Fax No. :